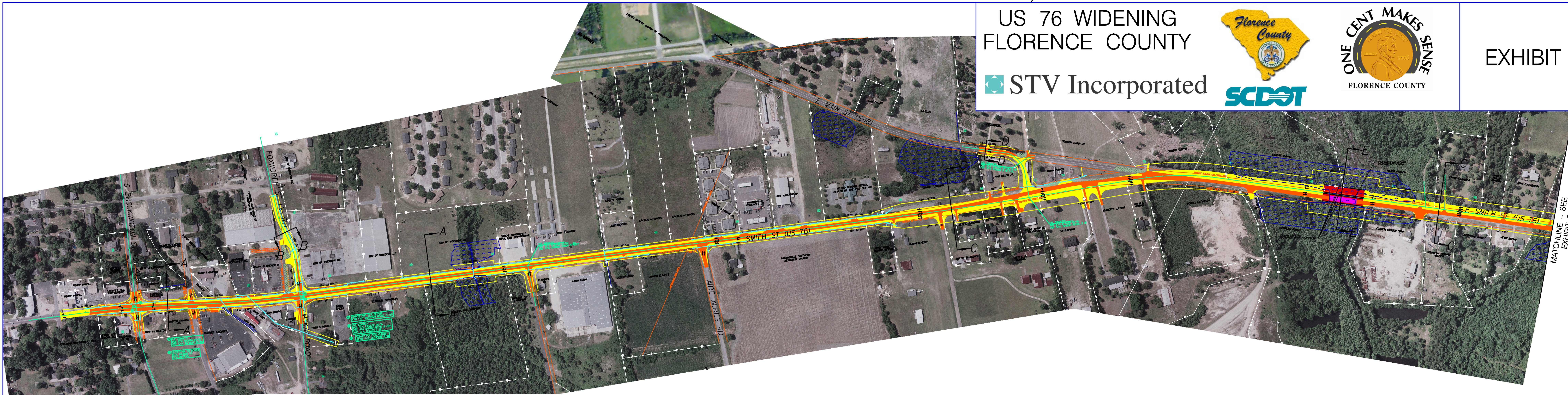


US 76 WIDENING  
FLORENCE COUNTY

STV Incorporated



EXHIBIT 1

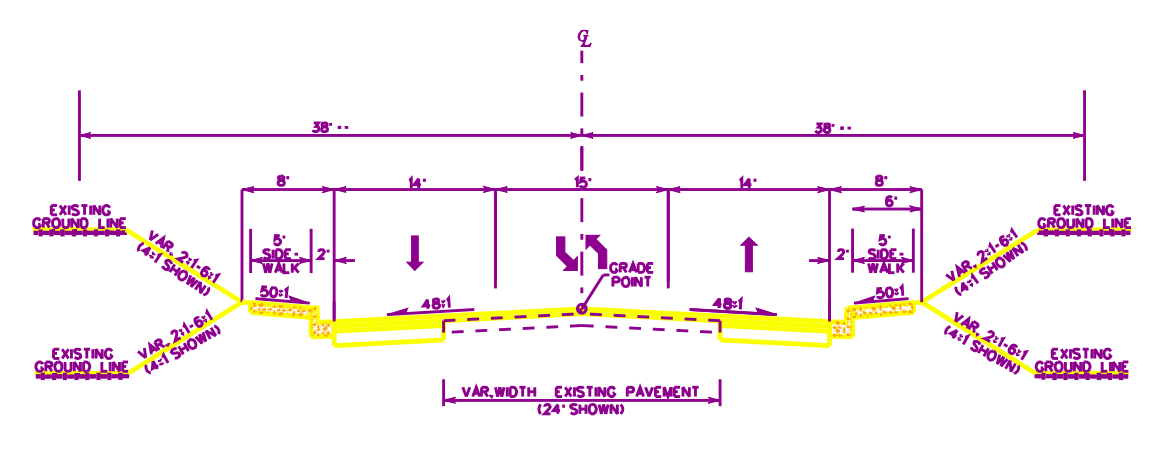


MATCHLINE - SEE EXHIBIT 2

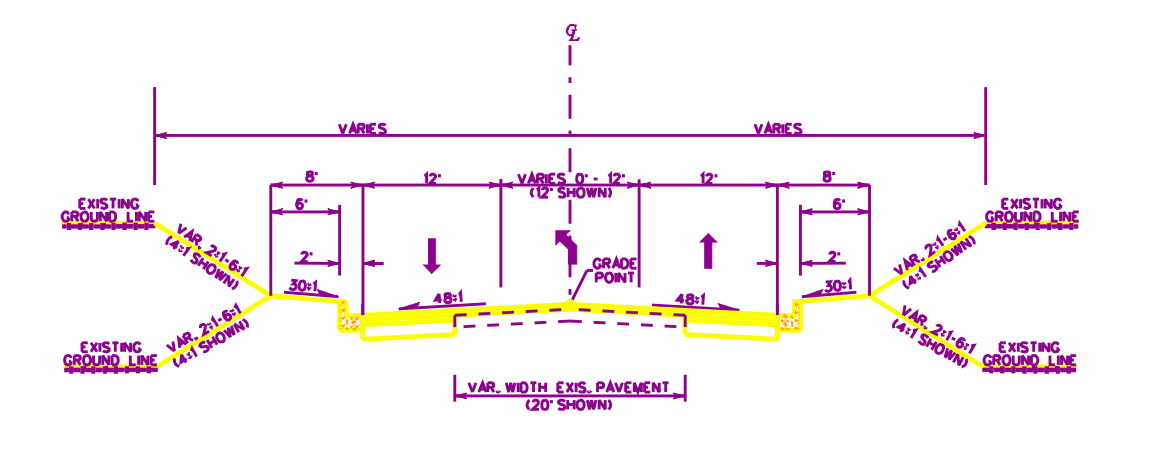
LEGEND

- PROPOSED ROADWAY
- PROPOSED TWIN BRIDGES
- PROPOSED GUARDRAIL
- EXISTING ROADWAY
- EXISTING BRIDGE
- PAVEMENT REMOVAL
- WETLANDS
- PROPOSED DRAINAGE
- PROPERTY LINE
- EXISTING R / W
- PROPOSED R / W

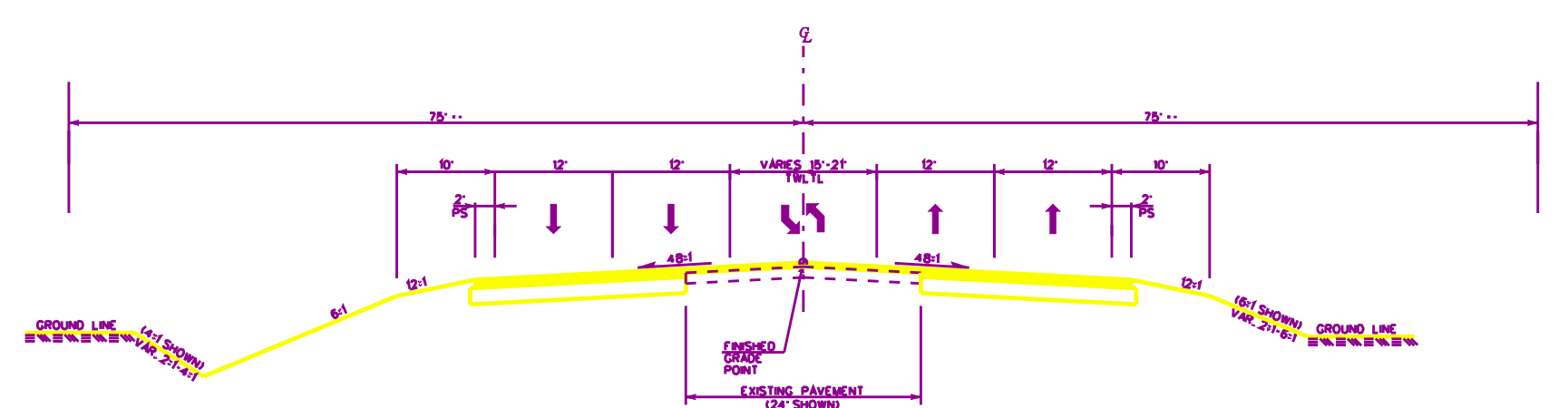
A-A - E SMITH ST (US 76)  
TYPICAL SECTION



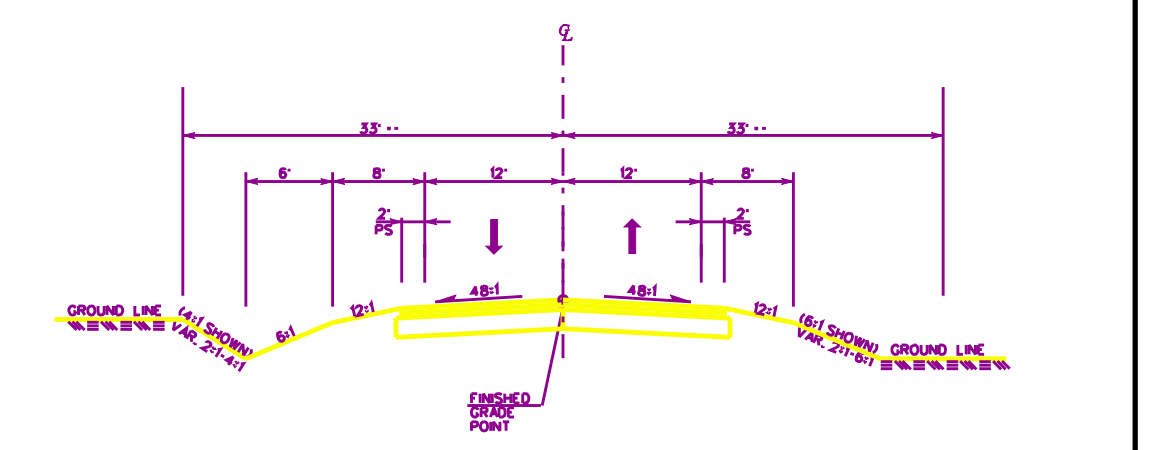
B-B - FOXWORTH ST (S-1371)  
TYPICAL SECTION



C-C - E SMITH ST (US 76)  
TYPICAL SECTION



D-D - E MAIN ST (S-18)  
ALLIGATOR RD (S-107)  
TYPICAL SECTION



E-E - E SMITH ST (US 76) TWIN BRIDGES  
TYPICAL SECTION

